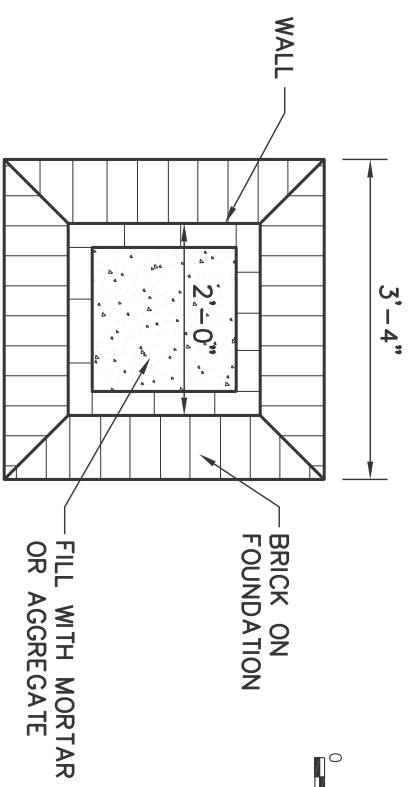
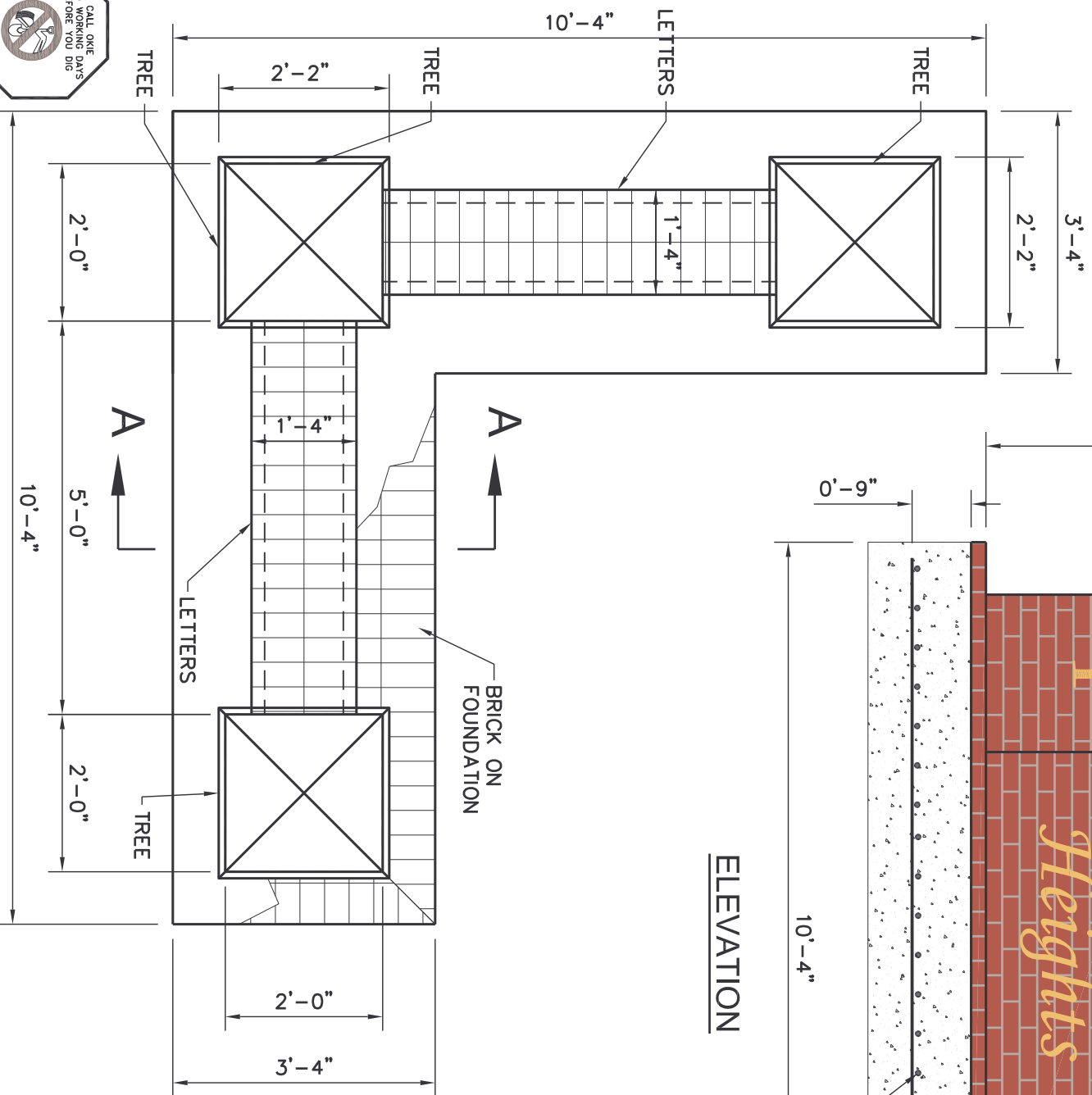


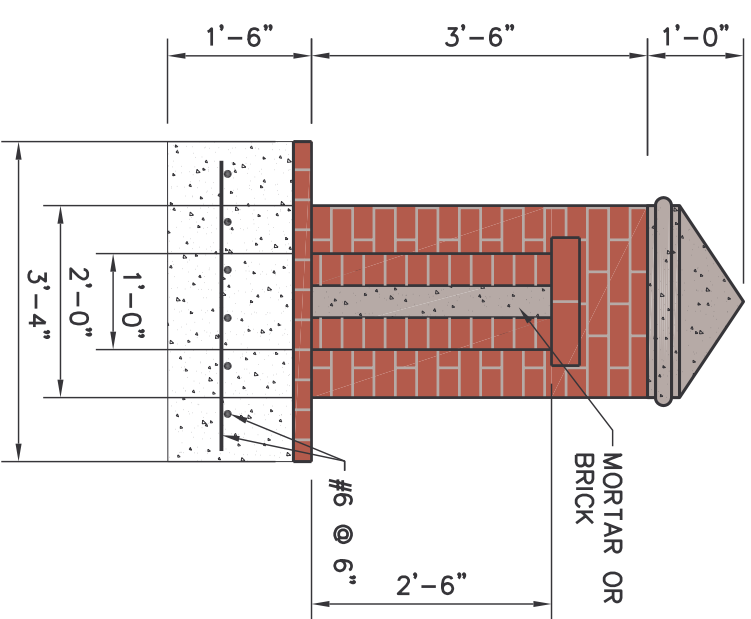
ELEVATION



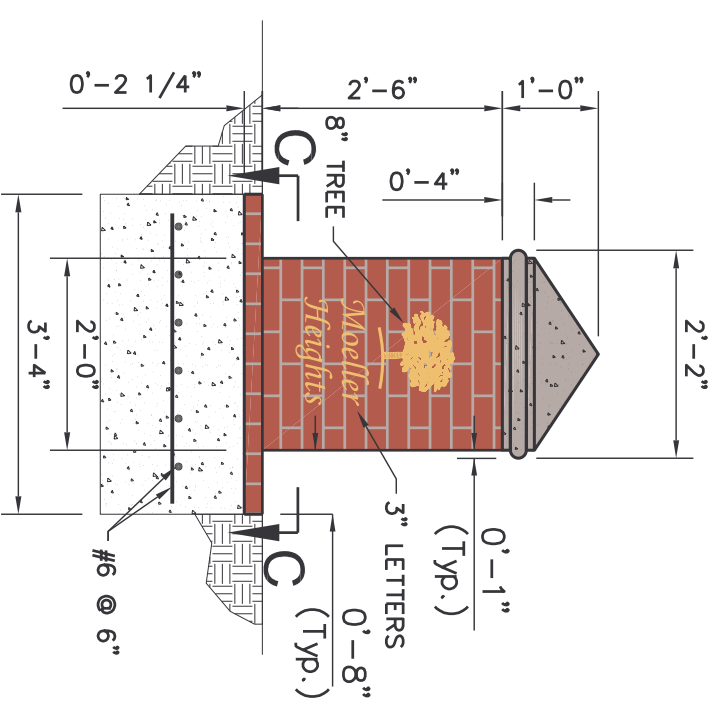
SECTION C-C



PLAN



SECTION A-A



SMALLER
ENTRANCE SIGNS

| | | | | | | | | | | | | | | | | | | | | | | | |
|------------------------------------|------|----|-------|-----|------|----|-------|-----|------|----|-------|------------------------------------|------|----|-------|-----|------|----|-------|-----|------|----|-------|
| NO. | DATE | BY | APP'D | NO. | DATE | BY | APP'D | NO. | DATE | BY | APP'D | NO. | DATE | BY | APP'D | NO. | DATE | BY | APP'D | NO. | DATE | BY | APP'D |
| | | | | | | | | | | | | | | | | | | | | | | | |
| REVISIONS | | | | | | | | | | | | REVISIONS | | | | | | | | | | | |
| Moeller Heights Tulsa, Oklahoma | | | | | | | | | | | | Moeller Heights Tulsa, Oklahoma | | | | | | | | | | | |
| DATE: 9/11/06 | | | | | | | | | | | | DATE: 9/11/06 | | | | | | | | | | | |
| PROJECT NO: - | | | | | | | | | | | | PROJECT NO: - | | | | | | | | | | | |
| SHEET 2 OF 3 | | | | | | | | | | | | SHEET 2 OF 3 | | | | | | | | | | | |